

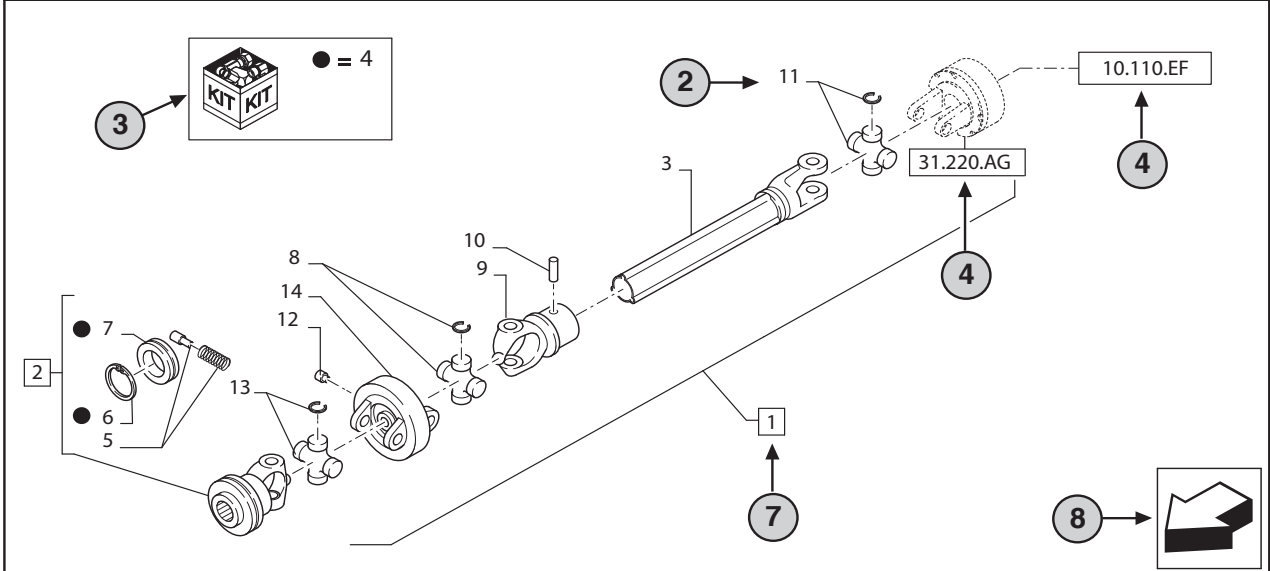
All rights reserved by **CNHi**.

The information contained in this catalogue is intended to be of a general nature only. **CNHi** may at any time and from time to time, for technical or other necessary reasons, modify any of the details or specifications of the product described in this catalogue.

To be sure of getting accurate, detailed and up-to-date information, an intending buyer should consult his nearest **CNHi** dealer or distributor.

Single item numeration method used in this catalogue may not be used without written consent from **CNHi**.

VAR - 123782, 789101,987654 - PTO - D650



STANDARD ← (6)

VAR - 123782, 789101,987654 - PTO - D650

(11) (12) (13) (14)

REF	FN	PART NUMBER	YR/SN	QTY	DESCRIPTION
1	1	86529340	(20)	1	SHAFT PTO, Incl 2 - 11
2	(15)	84014007		1	YOKE, Incl 4 - 7 ← (7)
3	(16)	NSS		1	NOT SERVICED SEPARATELY, SHAFT, 350mm, Incl in 1
4		84004292		1	KIT, Seal Kit, Incl 6, 7 (17)
4		{84058743}		1	KIT, Seal Kit, Incl 6, 7
(2)	(18)	(19)	(21)	(22)	
		1 = FOR ITALY ONLY ← (5)			

MODELS ← (1)


- 1 Model Number and Model Description
- 2 Reference - Figure call-out of the part number.
- 3 Parts supplied in repair kits per symbol reference.
- 4 31.220.AD Part illustrated on the **Page** or in the **Figure** indicated, or calls for **Variations** or **Details**. Indicates components shown in detail elsewhere in the catalogue under the figure number shown.
- 5 Footnote references
- 6 Figure notes
- 7 1 2 Includes item(s) (See Description within partlist).
- 8 Orientation. (Arrow indicates front of the machine). 
- 9 Figure description.
- 10 General information of the figure.
- 11 Figure title number that aligns with the SRT. Standard Repair Time.
- 12 **Sequence** code within the assembly.
- 13 Page number within the sequence code.
- 14 **Date** of printing or updating of page (month-year).
- 15 **Note** - Relating to the Part Number. There is a key to symbols and abbreviations at the bottom of the text page.
- 16 Non-serviced parts.
- 17 Further description of the part to help confirm identification.
- 18 Not available as service part.
- 19 Part Number.
- 20 To be defined.
- 21 Total **Quantity** of the Part referred to in the page.
The quantity can be replaced by the following indications:
AR = quantity as requested.
- 22 Part **Description**.
- 23 Variant Codes

TABLE OF CONTENTS

05.100.03	01	FILTER & CAPACITIES, 345D SN A442023 & BSN
05.100.03	02	FILTER & CAPACITIES, 345D SN A442024 & ASN
05.100.03	03	FILTER & CAPACITIES, 445D SN A442024 & ASN
05.100.03	04	FILTER & CAPACITIES, 445C
05.100.03	05	FILTER & CAPACITIES, 445D SN A442023 & BSN
05.100.03	06	FILTER & CAPACITIES, 545C
05.100.03	07	FILTER & CAPACITIES, 545D SN A442024 & ASN
05.100.03	08	FILTER & CAPACITIES, 545D SN A442023 & BSN
05.100.03	09	FILTER & CAPACITIES, 345C
06A01		CYLINDER BLOCK & HEAD
06A02		PLUGS - BLOCK
06B01		CRANKSHAFT & FLYWHEEL
06C01		CAMSHAFT, ROCKER ARM & VALVES
06D01		PISTONS & CONNECTING RODS
06E01		OIL PUMP & PAN
06F01		MANIFOLD & EXHAUST SYSTEM, NON-EMISSIONIZED
06F02		MANIFOLD & EXHAUST SYSTEM, EMISSIONIZED
06G01		OIL COOLER & HOSES, 5-98/
09A01		FUEL SYSTEM
09A02		FUEL TANK & RELATED PARTS, EMISSIONIZED
09B01		FUEL SEDIMENTER & FILTER ASSEMBLY, NON-EMMISSIONIZED (12-88/4-98)
09B02		FUEL FILTER ASSEMBLY, EMISSIONISED, ASN A442030 (5-98/)
09C01		FUEL INJECTOR ASSEMBLY (-/2-90)
09C02		FUEL INJECTOR ASSEMBLY (3-90/-)
09D01		FUEL INJECTION PUMP, DPA ROTARY, UPPER HALF
09D02		FUEL INJECTION PUMP, DPA ROTARY, LOWER HALF
09E01		DIESEL COLD START
09F01		THROTTLE CONTROLS, L/CAB (12-88/)
09F02		THROTTLE CONTROLS, W/CAB (9-92/)
09G01		AIR CLEANER ASSEMBLY FOR NON-EMISSIONIZED ENGINE (12-88/4-98)
09G02		AIR CLEANER FOR EMMISIONIZED ENGINES (5-98/)
07A01		6 X 4 MANUAL REVERSING TRANSMISSION CASE & SHIFT LEVER
07A02		8 X 2 TRANSMISSION CASE & SHIFT LEVERS, D SERIES, 1-95/
07B01		6 X 4 MANUAL REVERSING TRANSMISSION GEARS

TABLE OF CONTENTS

07B02	8 X 2 TRANSMISSION GEARS, D-SERIES, 1-95/
07C01	INDEPENDENT PTO ASSEMBLY
07C02	FWD RELATED PARTS L/PTO
07D01	PTO GUARD
07E01	CLUTCH CONTROLS
07F01	SINGLE CLUTCH ASSEMBLY, 13"
07J01	TRANSMISSION VALVE, TUBES & FITTINGS, 4 X 4 & 8 X 8
07J02	REVERSE IDLER SHAFT & GEAR, 4 X 4 & 8 X 8
07K01	TRANSMISSION CASE, 4 X 4
07K02	TRANSMISSION REAR COVER, 4 X 4
07K03	TRANSMISSION FRONT COVER, 4 X 4
07K04	TRANSMISSION VALVE & HOUSING, 4 X 4
07K05	TRANSMISSION CLUTCH & INPUT SHAFT, 4 X 4
07K06	TRANSMISSION COUNTERSHAFT & GEARS - 4 X 4
07K07	TRANSMISSION OUTPUT SHAFT & GEARS, 4 X 4
07K08	SHIFT FORK & RAIL, 1 & 2, W / 4 X 4
07K09	SHIFT FORK & RAIL, 3 & 4, W/4 X 4
07K10	TRANSMISSION SHIFT LEVER & DIPSTICK, W/4 X 4
07L01	TRANSMISSION CASE, 8 X 8
07L02	TRANSMISSION REAR COVER, 8 X 8
07L03	TRANSMISSION FRONT COVER, 8 X 8
07L04	TRANSMISSION VALVE & HOUSING, 8 X 8
07L05	CLUTCH & INPUT SHAFT, 8 X 8
07L06	PTO SHAFT & GEARS, 8 X 8
07L07	PTO COVER ASSEMBLY, W/8 X 8 TRANSMISSION
07L08	TRANSMISSION OUTPUT SHAFT & GEARS, 8 X 8
07L09	SHIFT FORK & RAIL, 1 & 2 W/ 8 X 8
07L10	SHIFT FORK & RAILS, 3 & 4, HIGH & LOW W/8 X 8
07L11	TRANSMISSION SHIFT LEVER & DIPSTICK - W/8 X 8
07M01	SHUTTLE SHIFT CONTROL
07M02	TRANSMISSION DUMP VALVE ROUND PEDAL
07M03	TRANSMISSION DUMP VALVE SQUARE PEDAL
07N01	TRANSMISSION OIL COOLER
08A01	RADIATOR & FAN

TABLE OF CONTENTS

08B01	WATER PUMP
08C01	WATER FILTER
04A01	REAR AXLE, DIFFERENTIAL
04A02	REAR AXLE, W/4WD
04B01	DIFFERENTIAL LOCK LINKAGE
04B02	DIFFERENTIAL LOCK & PTO CONTROL, W/CAB (9-92/)
04C01	CENTER HOUSING
04D01	REAR AXLE OIL COOLER, 345D, 445D, 545D
02A01	BRAKE CONTROLS - L/8X8 TRANSMISSION
02A02	BRAKE CONTROLS - W/8X8 TRANSMISSION
02A03	BRAKE PEDALS, (9-92/), W/CAB
02B01	HANDBRAKE LEVER W/TWIN CABLE
02B02	HANDBRAKE, W/CAB - 445D, 545D
11A01L	ELECTRICAL SYSTEM, L.H.
11A01R	ELECTRICAL SYSTEM, R.H.
11A02	SWITCH, TRANSMISSION CONTROL VALVE PEDAL & REL
11B01	HEADLAMP ASSEMBLY, FRONT MOUNTED L/CAB - N.A. ONLY
11B02	HEADLAMP ASSEMBLY, FLAT TOP FENDER L/CAB - N.A. ONLY
11C01	REAR LAMPS L/CAB - N.A. ONLY
11C02	LAMP ASSEMBLY, EMERGENCY WARNING L/CAB - N.A. ONLY
11C03	LAMP ASSEMBLY, FLASHER WARNING L/CAB - N.A. ONLY
11C04	KIT, TURN SIGNAL, DIA, L/CAB, NA ONLY
11C05	IMPLEMENT LAMP ASSEMBLY L/CAB - N.A. ONLY
11C06	IMPLEMENT LAMP, L/CAB, NA ONLY (3-90/)
11D01	BATTERY & SUPPORT, NON-EMISSIONIZED ENGINE (12-88/4-98)
11D02	BATTERY & SUPPORT, EMISSIONIZED ENGINE (5-98/)
11E01	STARTING MOTOR ASSEMBLY - 5" DIA.
11F01	ALTERNATOR ASSEMBLY (12-88/8-90)
11F02	ALTERNATOR ASSEMBLY (9-90/)
11G01	HORN ACCESSORY KIT
11H01	D.I.A., STOP & TAIL LIGHTS
11H02	D.I.A., STOP & TAIL LAMP, W/FOUR POST ROPS
11H03	D.I.A., LAMP ASSEMBLY - LICENSE PLATE
11H04	D.I.A., BACK-UP ALARM

TABLE OF CONTENTS

11K01	WORKLAMP, FRONT, 445D & 545D, W/CAB
11K02	TAIL LIGHT, 1/2 AMBER & 1/2 RED LENS - 445D,545D
11K03	TAIL LIGHT, 1/3 AMBER & 2/3 RED LENS - 445D,545D
03A01	FRONT AXLE, STEERING, 2WD
03A02	FRONT AXLE, STEERING, 4WD - UP TO 5/98
03A03	FRONT AXLE, STEERING, ASN A442030, 5-98/
03B01	STEERING COLUMN & MOTOR, 12/88-4/98
03B02	STEERING COLUMN & MOTOR, 5-98/
03C01	POWER STEERING PUMP & RESERVOIR
03D01	POWER STEERING CYLINDER ASSEMBLY - TRW
03D02	POWER STEERING CYLINDER ASSEMBLY - "CASCADE"
03F01	4WD FRONT AXLE
03F02	4WD DIFFERENTIAL BOX
03F03	4WD BEVEL GEAR & PINION SET
03F04	4WD REDUCTION GEARS
03F05	4WD STEERING ARMS & TIE ROD
03F06	4WD DRIVESHAFTS
03F07	4WD DRIVE SHAFTS & SHIELDS
03F08	4WD GEARBOX ASSEMBLY
03F09	4WD FRONT SUPPORT
03F10	4WD TRANSFER CASE
05A01	HYDRAULIC LIFT COVER
05A02	HYDRAULIC LIFT SHAFT & RELATED PARTS
05A03	HYDRAULIC LIFT CYLINDER
05B01	HYDRAULIC RESERVOIR & PUMP DRIVE, NON-EMISSIONIZED ENGINE
05B02	HYDRAULIC RESERVOIR, EMISSIONIZED ENGINES, ASN A442030
05B03	FLOW CONTROL VALVE PIPING
05B04	FLOW CONTROL VALVE
05B05	MANIFOLD ASSEMBLY, REAR AXLE HYDRAULIC
05C01	HYDRAULIC LIFT LINKAGE
05D01	STABILIZER KIT - W/LOADER
05E01	SWINGING DRAWBAR ASSEMBLY
05F01	VALVE ASSEMBLY, LOADER CONTROL
05G01	LIFT & DRAFT CONTROL - W/CAB

TABLE OF CONTENTS

05G02	BOX ASSEMBLY - LIFT LEVELING
05G03	HYDRAULIC LIFT CONTROL
05H01	REMOTE CONTROLS, W/CAB
05H02	REMOTE CONTROL VALVE & COUPLER
05H03	CONTROL VALVE, DELUXE REMOTE-345D,445D,545D
05H04	COUPLING ASSEMBLY - REMOTE CONTROL
05H05	UNLOAD VALVE
05J01	HYDRAULIC PUMP ASSEMBLY- (ENGINE MOUNTED - AUXILIARY)
05J02	HYDRAULIC PUMP ASSEMBLY, GEAR TYPE, MOUNTED IN CENTER HOUSING,
05J03	HYDRAULIC PUMP ASSEMBLY, FRONT MOUNTED, LOADER BACKHOE
14A01	FENDERS
14A02	PLATFORM, 345C, 445C, 545C
14A03	PLATFORM, 345D, 445D, 545D
14B01	ENGINE HOOD
14B02	ENGINE GRILLE, NON-EMISSIONIZED ENGINES
14B03	ENGINE GRILLE, EMISSIONIZED ENGINES (5-98/)
14C01	REFLECTORS
01A01	FRONT WHEEL ASSEMBLY
01B01	STANDARD REAR WHEELS
01B02	STANDARD REAR WHEELS, SQUARE DISC
01C01	FRONT END WEIGHTS
01D01	24" REAR WHEEL WEIGHTS
12A01	INSTRUMENT CLUSTER
16A01	DECALS, IDENTIFICATON
16B01	DECALS, INSTRUCTIONS
16B02	DECALS, WARNING & CAUTION
16C01	SHIFT PATTERN DECALS
16D01	DECALS - LOADER
16E01	SAFETY
15A01	ROOF, ROLLBAR KITS
15B01	WINDOWS, 445D, 545D
15B02	DOOR, 445D & 545D
15B03	ROOF, 445D, 545D
15B04	INTERIOR, 445D,545D

TABLE OF CONTENTS

15B05	CAB & ATTACHING PARTS, 445D,545D
15B06	ACCESSORIES, 445D,545D
15B07	WIPER, REAR WINDOW, 445D,545D
15C01	HEATER, 445D & 545D
15D01	ELECTRICAL, HARNESS
15D02	ELECTRICAL, CONSOLE, SWITCHES & INSTRUMENT CLUSTER
15D03	ELECTRICAL, HARNESS, WORKLAMPS & TRAILER SOCKET
13A01	SEAT ASSEMBLY, MICHIGAN SEAT
13A02	SEAT ASSEMBLY, GRAMMER
13A03	SEAT ASSEMBLY, AIR SUSPENSION, W/CAB
17A01	PAINTS
17B01	LUBRICANTS - LUBRICATION EQUIPMENT
17B01A	RADIO - PUSHBUTTON - NH-NA
17C01	MIRROR ASSEMBLY - REAR VIEW - L/CAB - D.I.A.
17D01	SAFETY EQUIPMENT
17E01	ENGINE COOLANT HEATER KIT, ACCESSORY
17F01	STABILIZER ASSEMBLY
17F02	KIT GASKET
18A01	SUBFRAME ASSEMBLY
18B01	ARM ASSEMBLY & LINKAGE - LOADER LIFT, 345C,345D
18B02	ARM ASSEMBLY & LINKAGE, LOADER LIFT - 445C,545C,445D,545D
18C01	HYDRAULIC TUBES & HOSES
18C02	LOADER CONTROL VALVE, CONTROL LEVER & LINKAGE
18C03	LOADER HYDRAULICS, NON-EMMISSIONIZED ENGINES
18C04	LOADER HYDRAULICS, W/EMMISSIONIZED ENGINES, ASN A442030
18D01	LIFT CYLINDER ASSEMBLY
18D02	BUCKET CYLINDER
18E01	BUCKET ASSEMBLIES

SECTION INDEX

GENERAL

05.100.03	01	FILTER & CAPACITIES, 345D SN A442023 & BSN
05.100.03	02	FILTER & CAPACITIES, 345D SN A442024 & ASN
05.100.03	03	FILTER & CAPACITIES, 445D SN A442024 & ASN
05.100.03	04	FILTER & CAPACITIES, 445C
05.100.03	05	FILTER & CAPACITIES, 445D SN A442023 & BSN
05.100.03	06	FILTER & CAPACITIES, 545C
05.100.03	07	FILTER & CAPACITIES, 545D SN A442024 & ASN
05.100.03	08	FILTER & CAPACITIES, 545D SN A442023 & BSN
05.100.03	09	FILTER & CAPACITIES, 345C

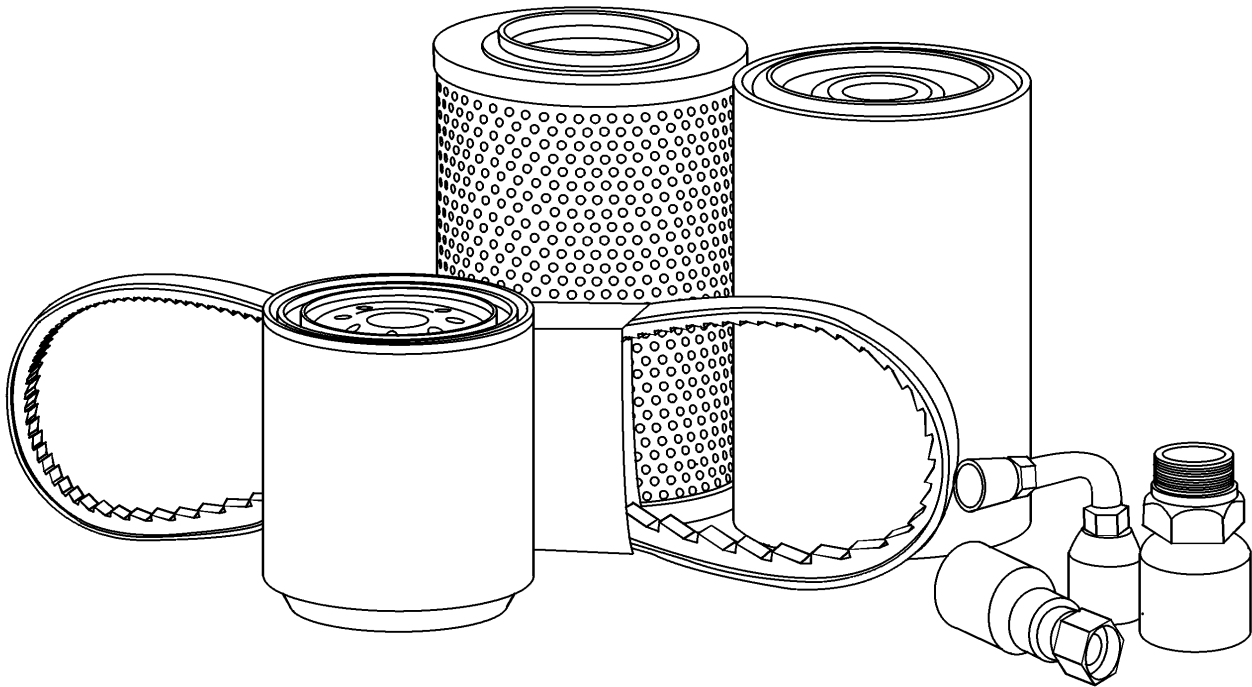
05.100.03

01

p1

9/2018

FILTER & CAPACITIES, 345D SN A442023 & BSN



FILTER & CAPACITIES, 345D SN A442023 & BSN

REF FN	PART NUMBER	YR/SN	QTY DESCRIPTION
*	CNH XHD COOLANT		ANTIFREEZE Coolant, 2.75-Gal (10.4L)
1	86546614		1 ENGINE OIL FILTER
*	M-GOLD SAE15W40		OIL Engine, 15W40, W/Filter, 7-QT (6.6L)
*	M-GOLD SAE15W40		OIL Engine, W/o Filter, 6-QT (5.7L)
2	E9NN9601BA		1 AIR FILTER Primary
3	E6NN9R500DA		1 AIR FILTER Secondary
4	D8NNB486CA		1 HYDRAULIC OIL FILTER Vertical exhaust
5	D8NNB486EA		1 FILTER Horizontal Exhaust
6	D8NNB951AE		1 FILTER Hydraulic
7	E7NN6714FA		1 HYDRAULIC OIL FILTER Torque Converter
*	MULTI G 134		OIL Hydraulic, Multi G 134, 8.7-Gal (32.9L), W/LDR, System
*	MULTI G 134		OIL Transmission, Multi G 134, 4X4, 8X8, Power Reverse, 4.8-Gal (18.2L)
*	MULTI G 134		OIL Transmission, 6X4, Manual Reverse, 3-Gal (11.4L)
8	83937061		1 FUEL FILTER
9	84536381		1 ELEMENT Pump and Reservoir
10	EDPN3K758A		1 ELEMENT Power Steering
*	MULTI G 134		OIL Rear Axle, Multi G 134, W/o PTO, 8.5-Gal (32.2L), Add 1.9-QT (1.8L), for FWD
*	MULTI G 134		OIL Rear Axle, W/ PTO, 12-Gal (45.4L)
*	HYPOIDE 80W90L		OIL Front Axle & Differential Case, 80W90, 5.8-QT (5.5L), Differential Housing
*	HYPOIDE 80W90L		OIL Front Axle & Differential Case, 1.1-QT (1.0L), Per Hub

345D-3 CYL TRACTOR LOADER

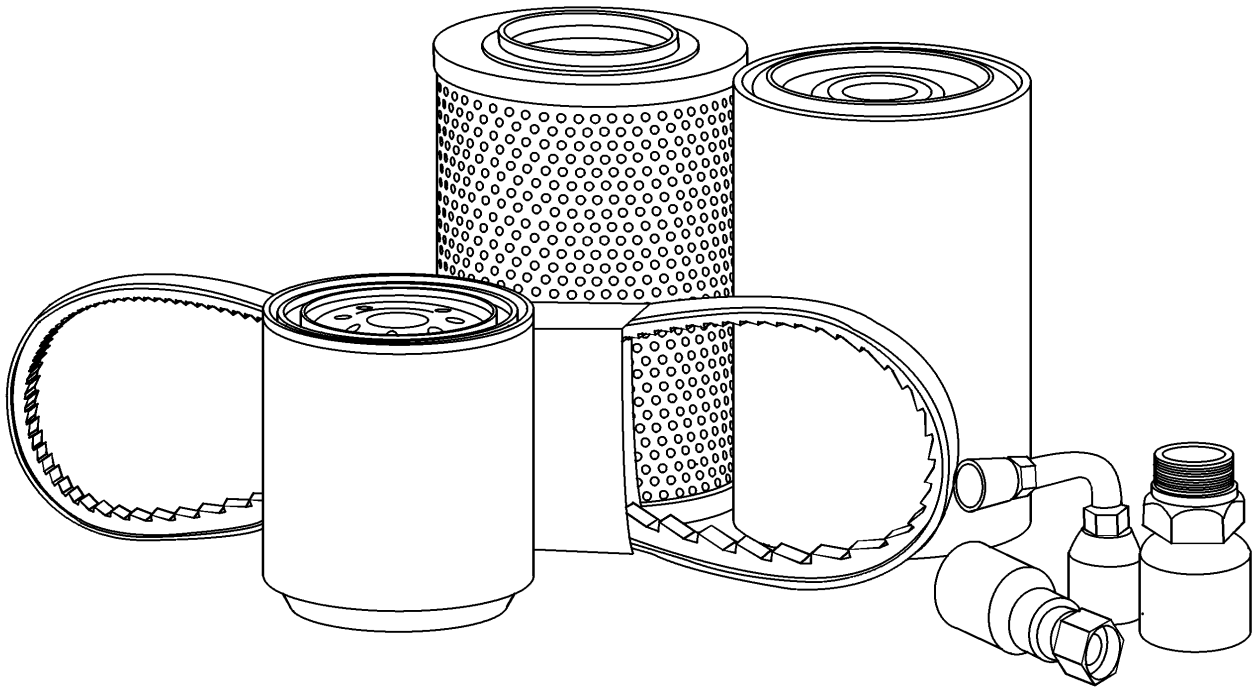
05.100.03

01

p2

9/2018

FILTER & CAPACITIES, 345D SN A442023 & BSN



05.100.03

01

p2

9/2018

FILTER & CAPACITIES, 345D SN A442023 & BSN

REF FN	PART NUMBER	YR/SN	QTY DESCRIPTION
*	MULTI G 134		OIL Power Steering, Multi G 134, 5-PT (2.4L)

345D-3 CYL TRACTOR LOADER

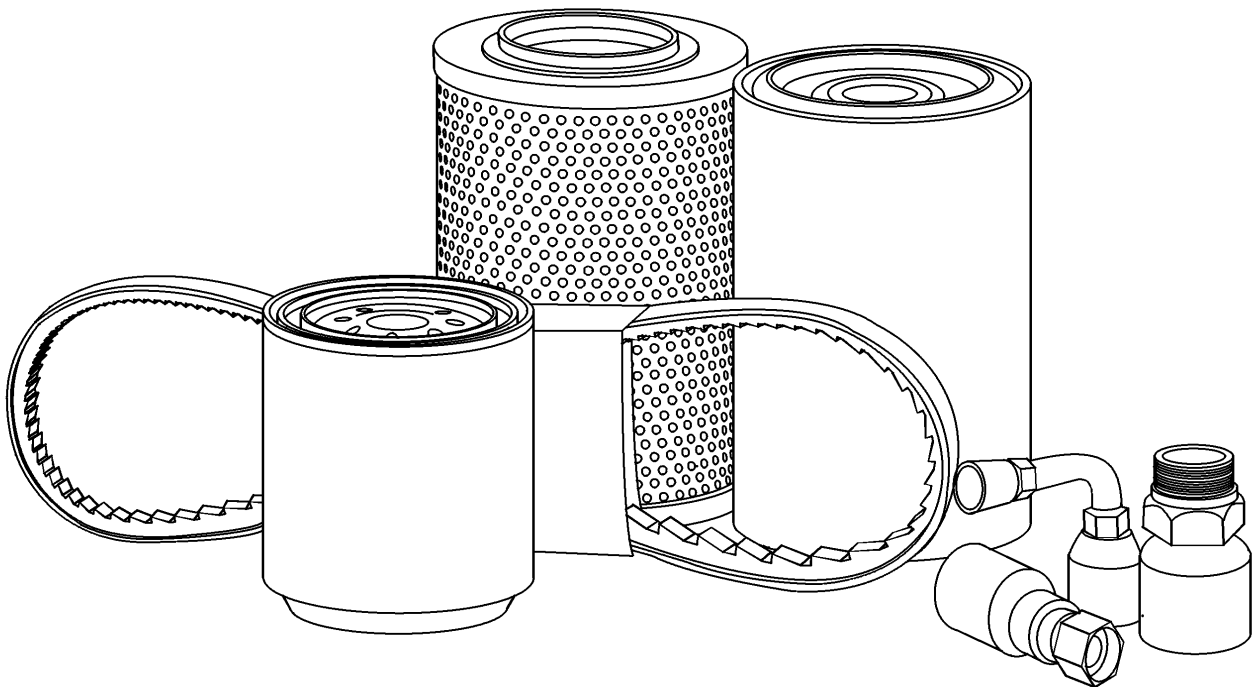
05.100.03

02

p1

9/2018

FILTER & CAPACITIES, 345D SN A442024 & ASN



FILTER & CAPACITIES, 345D SN A442024 & ASN

REF FN	PART NUMBER	YR/SN	QTY DESCRIPTION
*	CNH XHD COOLANT		ANTIFREEZE Coolant, 2.75-Gal (10.4L)
1	87800068		1 ENGINE OIL FILTER
2	E7NN6714AA		1 ENGINE OIL FILTER
*	M-GOLD SAE15W40		OIL Engine, 15W40, W/Filter, 7-QT (6.6L)
*	M-GOLD SAE15W40		OIL Engine, W/o Filter, 6-QT (5.7L)
3	E9NN9601BA		1 AIR FILTER Primary
4	E6NN9R500DA		1 AIR FILTER Secondary
5	D8NNB486CA		1 HYDRAULIC OIL FILTER Vertical exhaust
6	D8NNB486EA		1 FILTER Horizontal Exhaust
7	D8NNB951AE		1 FILTER Hydraulic
8	E7NN6714FA		1 HYDRAULIC OIL FILTER Torque Converter
*	MULTI G 134		OIL Hydraulics, Multi G 134, Complete System, 10.5-Gal (39.7L)
*	MULTI G 134		OIL Hydraulics, Reservoir, 34.8-QT (32.9L), W/LDR
*	MULTI G 134		OIL Transmission, Multi G 134, 4X4, 8X8, Power Reverse, 4.8-Gal (18.2L)
*	MULTI G 134		OIL Transmission, 6X4, Manual Reverse, 3-Gal (11.4L)
9	83937061		1 FUEL FILTER
10	87802202		1 FUEL FILTER
11	84536381		1 ELEMENT Pump and Reservoir
12	EDPN3K758A		1 ELEMENT Power Steering
*	MULTI G 134		OIL Rear Axle, Multi G 134, W/o PTO, 8.5-Gal (32.2L), Add 1.9-QT (1.8L), for FWD
*	MULTI G 134		OIL Rear Axle, W/ PTO, 12-Gal (45.4L)

345D-3 CYL TRACTOR LOADER

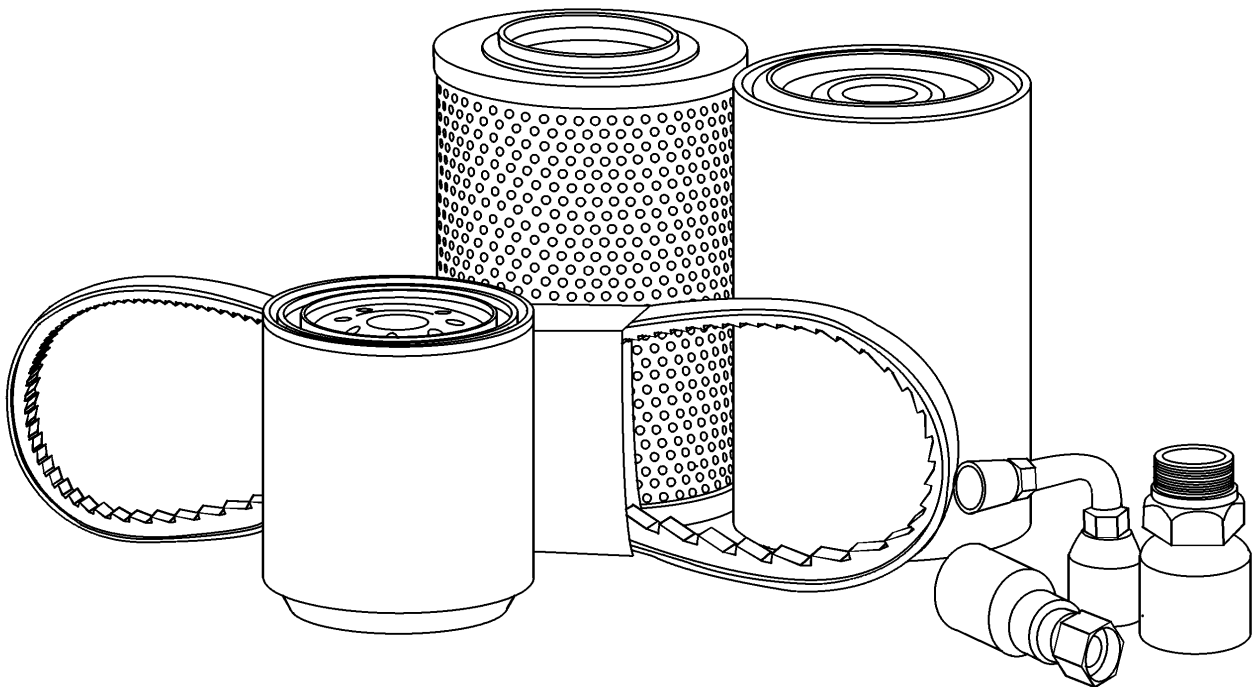
05.100.03

02

p2

9/2018

FILTER & CAPACITIES, 345D SN A442024 & ASN



05.100.03

02

p2

9/2018

FILTER & CAPACITIES, 345D SN A442024 & ASN

REF FN	PART NUMBER	YR/SN	QTY DESCRIPTION
*	HYPOIDE 80W90L		OIL Front Axle & Differential Case, 80W90, 5.8-QT (5.5L), Differential Housing
*	HYPOIDE 80W90L		OIL Front Axle & Differential Case, 1.1-QT (1.0L), Per Hub
*	MULTI G 134		OIL Power Steering, Multi G 134, 5-PT (2.4L)

345D-3 CYL TRACTOR LOADER

**Thanks very much for your reading,
Want to get more information,
Please click here, Then get the complete
manual**

JustClickHere 

NOTE:

**If there is no response to click on the link above,
please download the PDF document first, and then
click on it.**

**Have any questions please write to me:
admin@servicemanualperfect.com**